

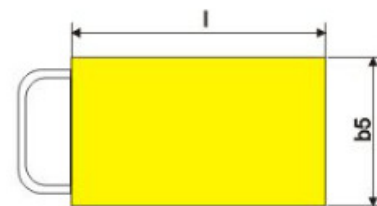
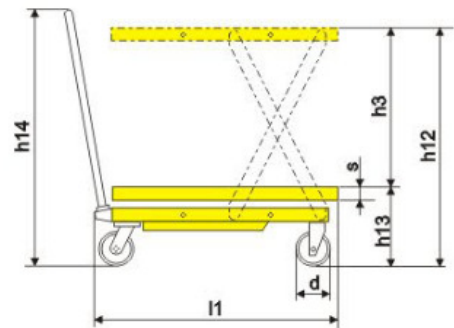
Lift Table



Capacity: 500kg



Max. lift height	h_{\max} (mm)	900
Min. height of table	h_{\min} (mm)	280
Lifting height	h_s (mm)	620
Table size	$b \times b_5 \times s$ (mm)	815x500x50
Total height	h_{tot} (mm)	996
Overall length	l_1 (mm)	942
Foot pedal cycles to max height		$\leq 32 / \leq 45$
Wheel diameter	d (mm)	127
Qty. / 20' Container	PCS	120
Service weight	kg	75/85
Carton size	mm	960x530x420



Please call us for more information, Tel : 66 (0) 2 755 3604-5,

CREATIVITY, APPLICATION, CONTINUAL IMPROVEMENT SOLUTION!