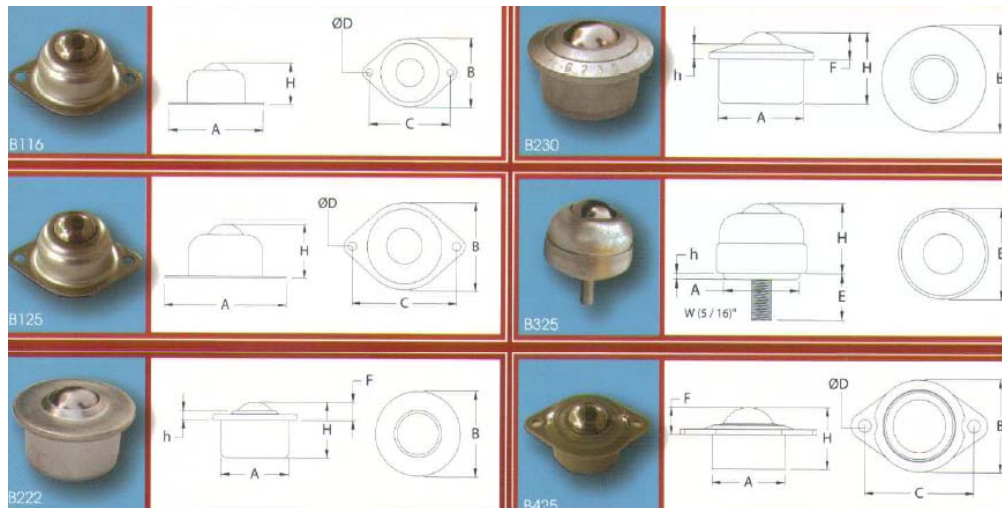


Ball Transfer



- Ease to assembly, Light weight
- Multi-Direction movement application
- Smooth, minimize effort for part moving
- Range available for load application



BALL TYPE	COVER MATERIAL	BALL MATERIAL			DIAMETER	A	B	C	D	H	h	LOAD (Kg)
		CARBON STEEL	STAINLESS	NYLON								
B 116	ZN PLANTING STEEL	●	-	-	16	50	35	40	5	20	-	20
B 125	ZN PLANTING STEEL	●	-	●	25.4	70	50	56	5.5	30	-	50
B 222	ZN PLANTING STEEL	●	-	-	22	36	45	10	-	29	4	50
B 230	ZN PLANTING STEEL	●	-	-	30	45	55	14	-	37	5	200
B 325	ZN PLANTING STEEL	●	-	●	25.4	38	45.5	23	-	35	2	50
B 425	NYLON 6 PLASTIC	●	●	●	25.4	44	50	60	6.5	34	15	30

